


RU

GB

INSTALLATION MANUAL
SKID PLATE FOR ENGINE BAY AND TRANSMISSION CASE



HYUNDAI Elantra 1,6 AT, 2,0 AT FRONTWD

2021- 

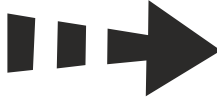
10.4878/10.4879

31/03/21

1/7



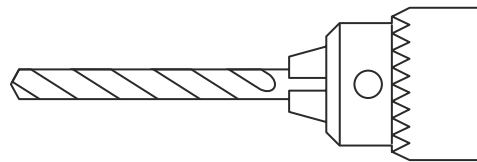
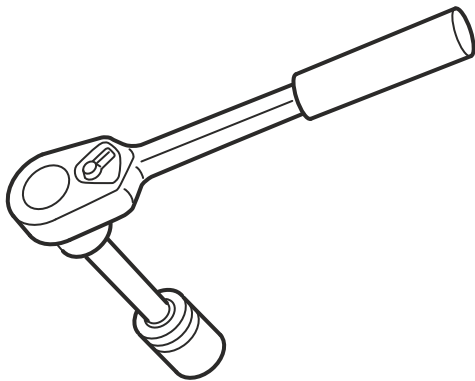
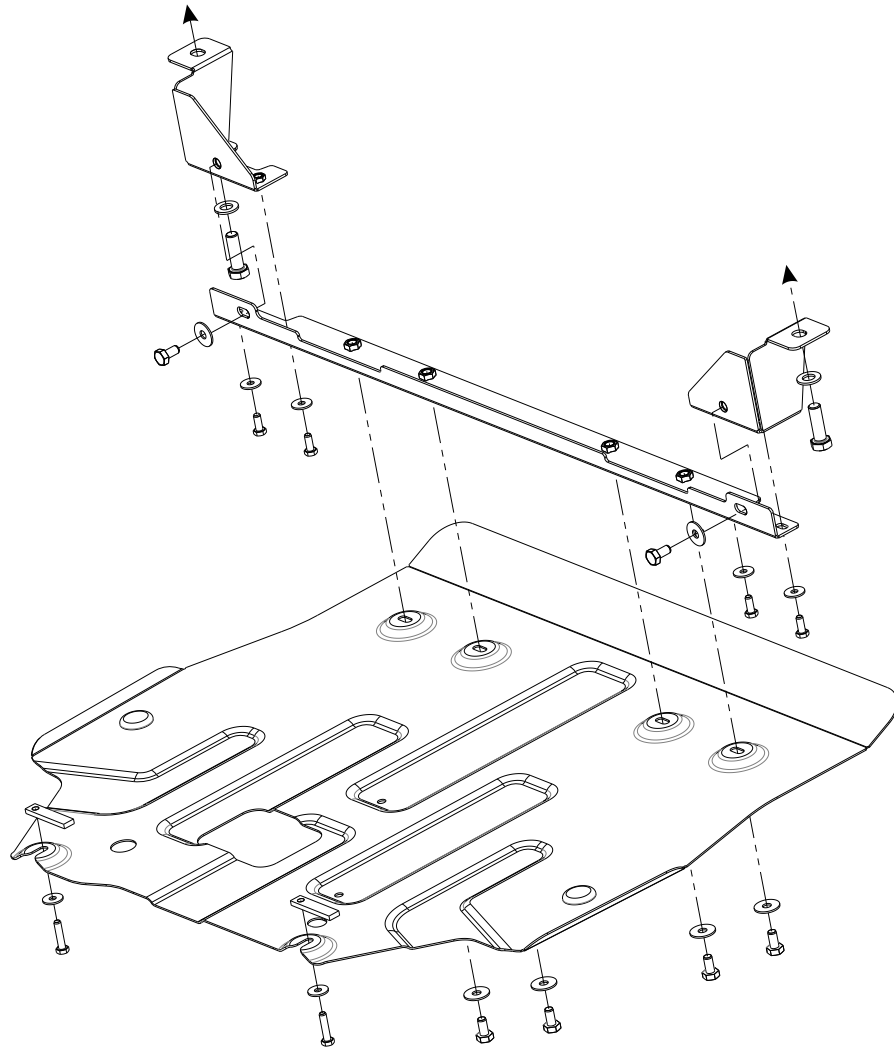
(RU) /
(GB) Location/Position Arrow

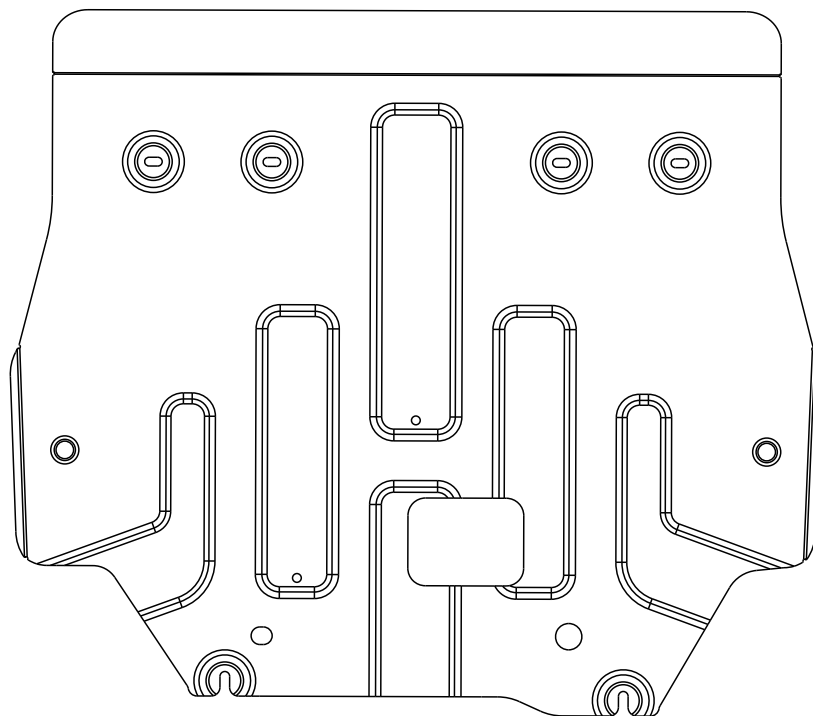


(RU)
(GB) Movement Arrow



(RU)
(GB) Screw Arrow

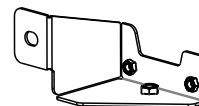


A

1X

B

1X



1X

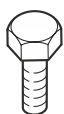
D

1X

E

3007

2X

F

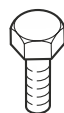
M8 20

4X

G

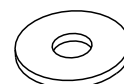
Ø8

6X

H

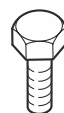
M8 35

2X

I

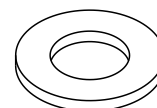
Ø10

6X

J

M10 20

6X

K

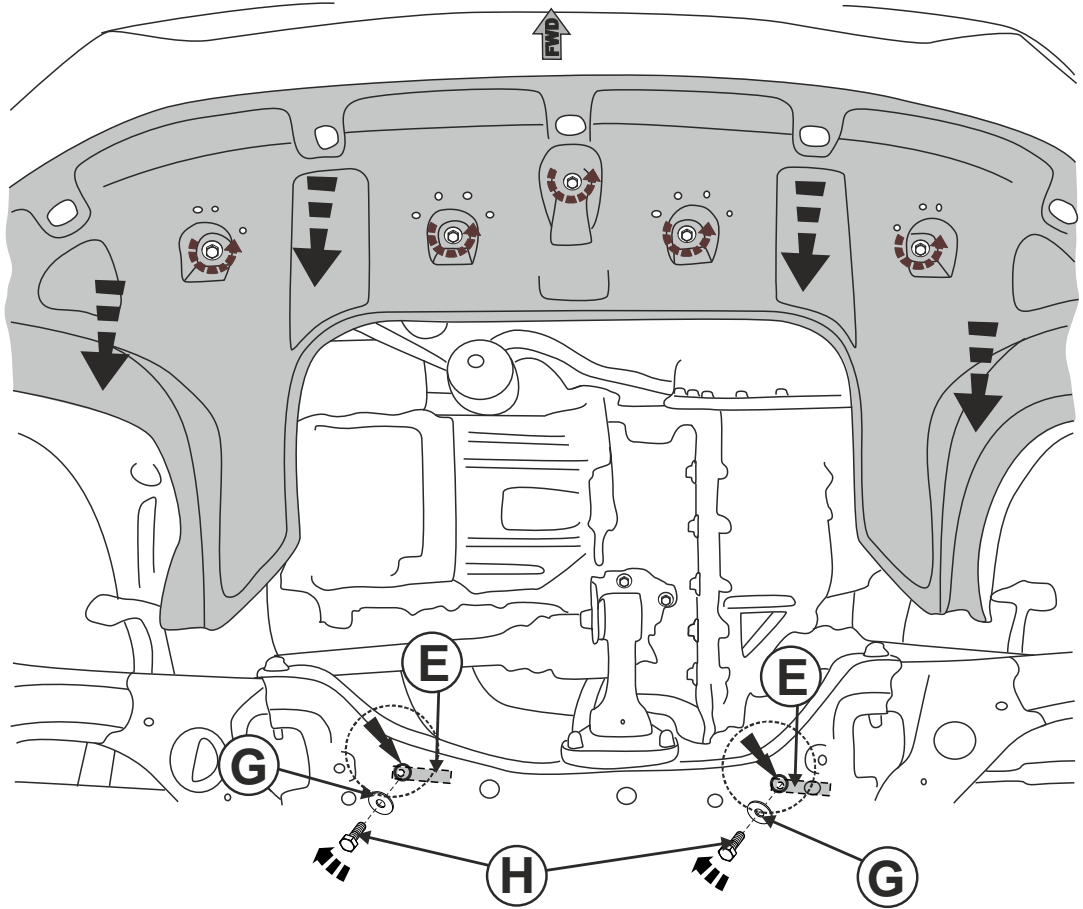
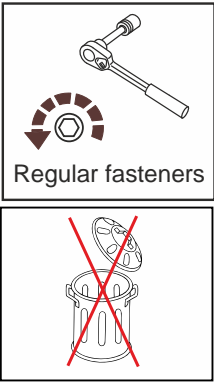
Ø14

2X

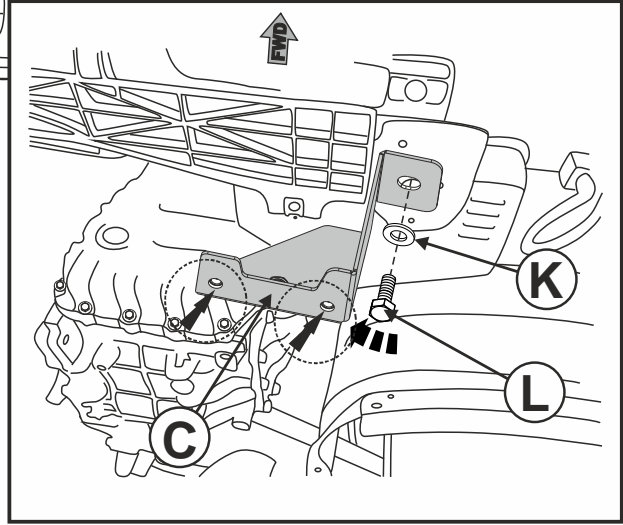
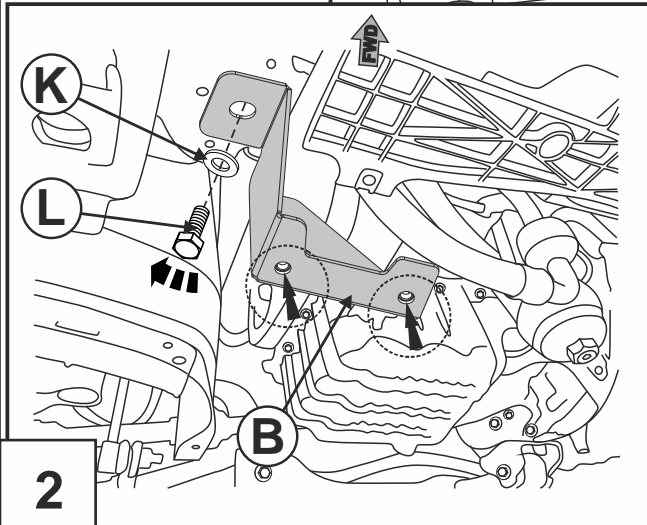
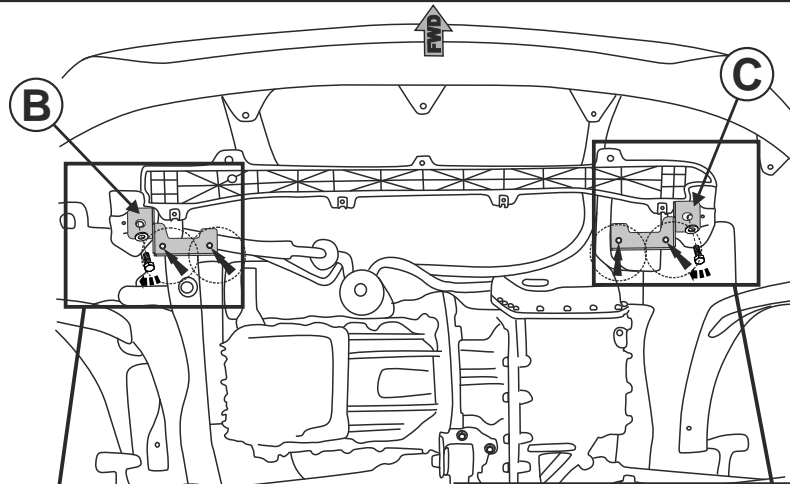
L

M14 1,5 25

2X



1



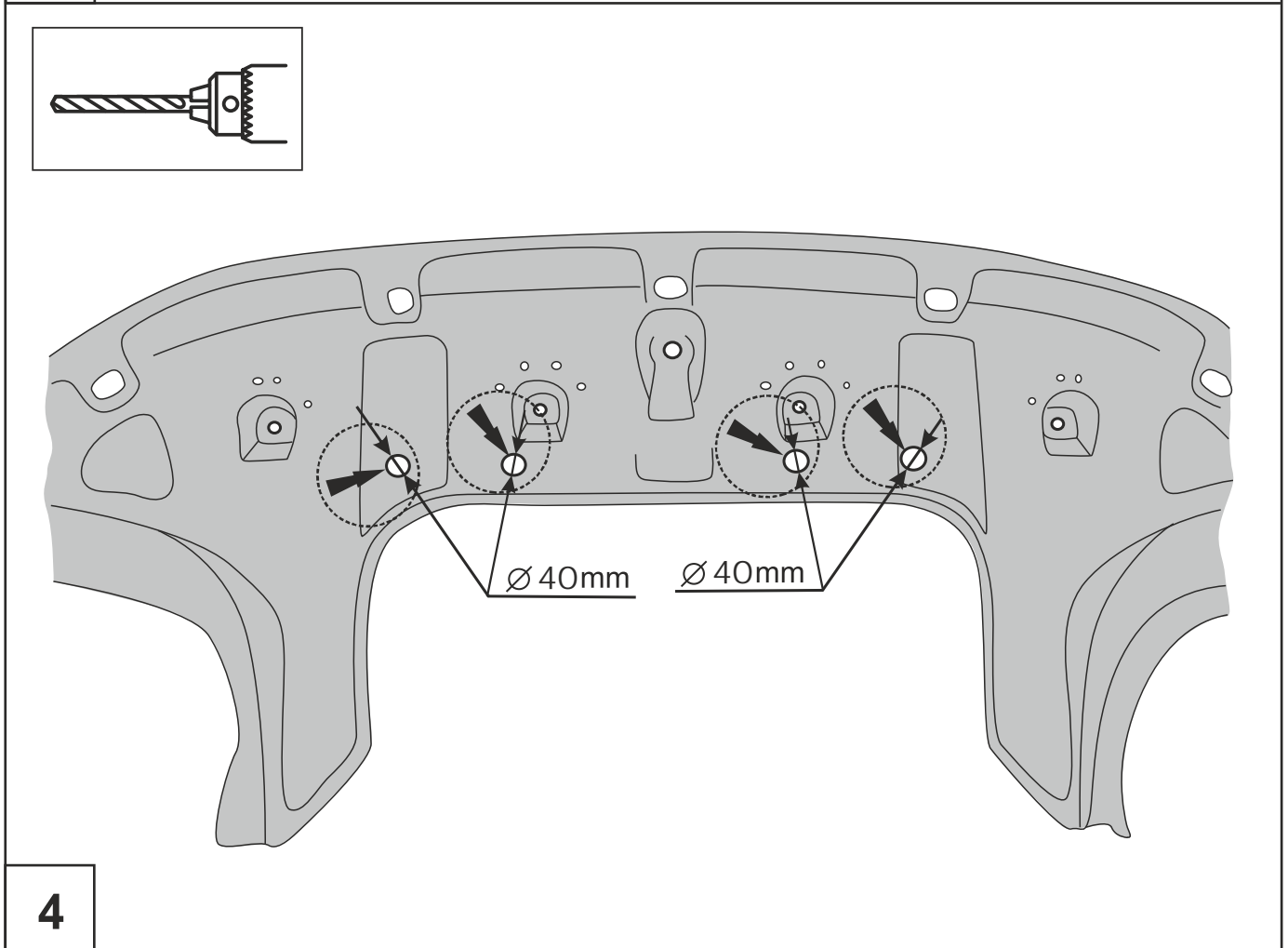
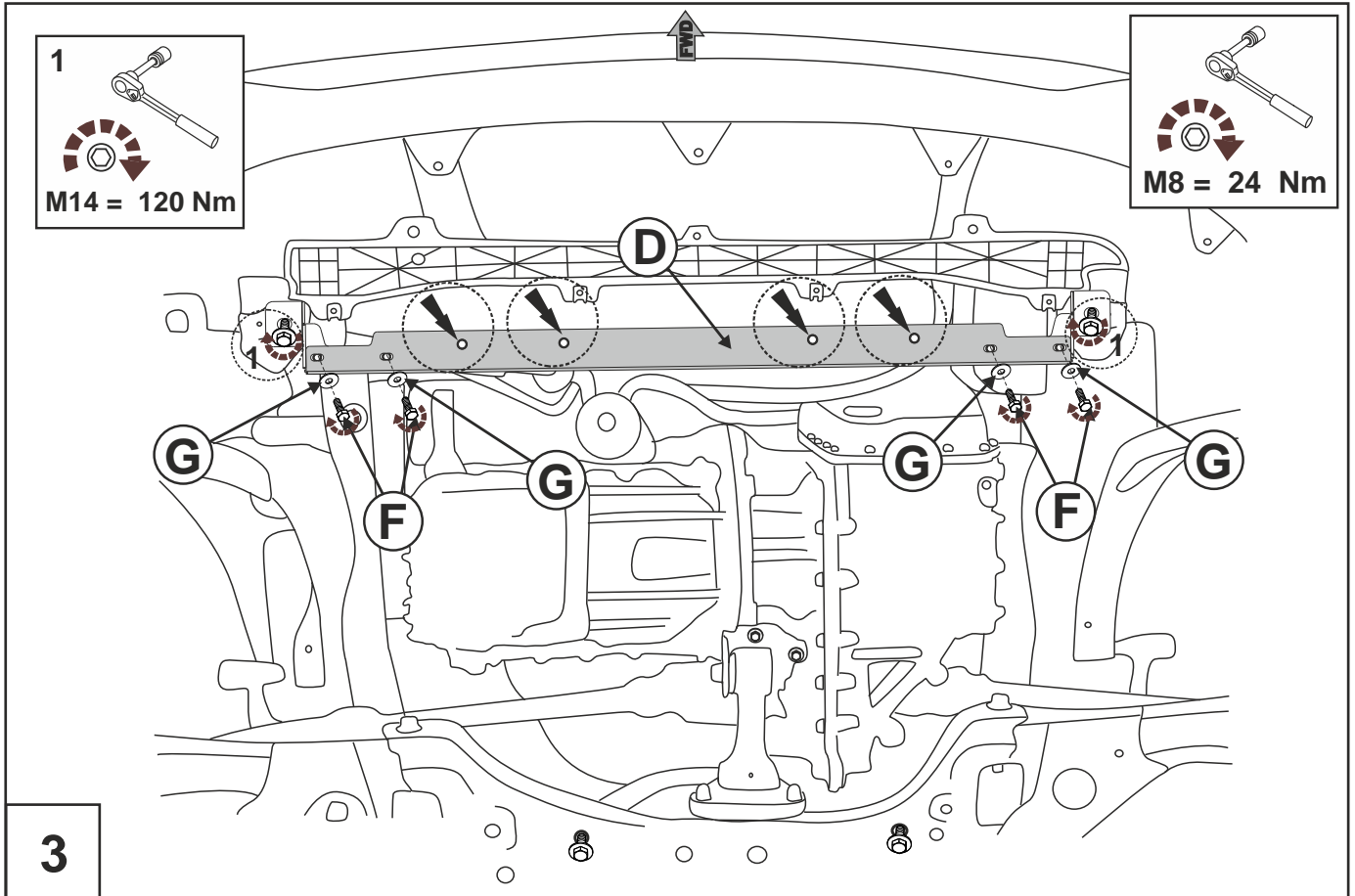
2

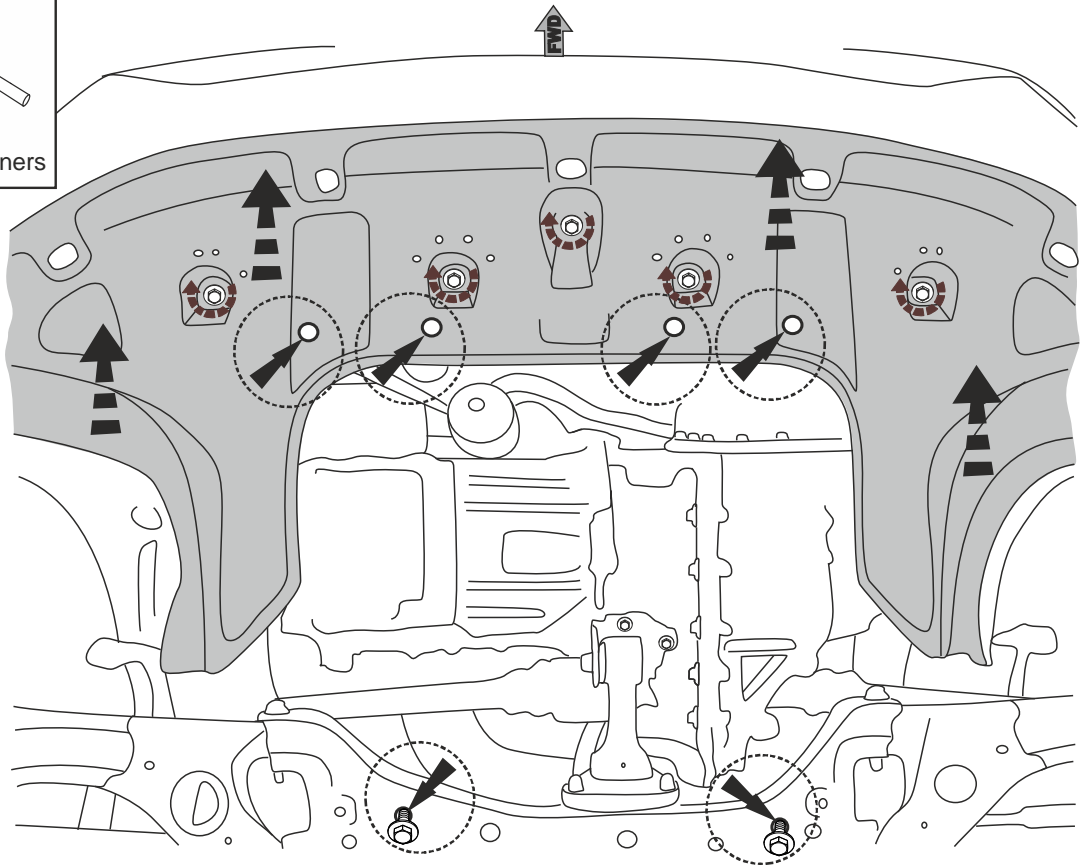
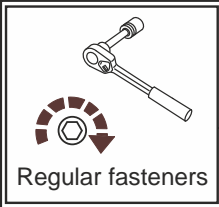


10.4878/10.4879

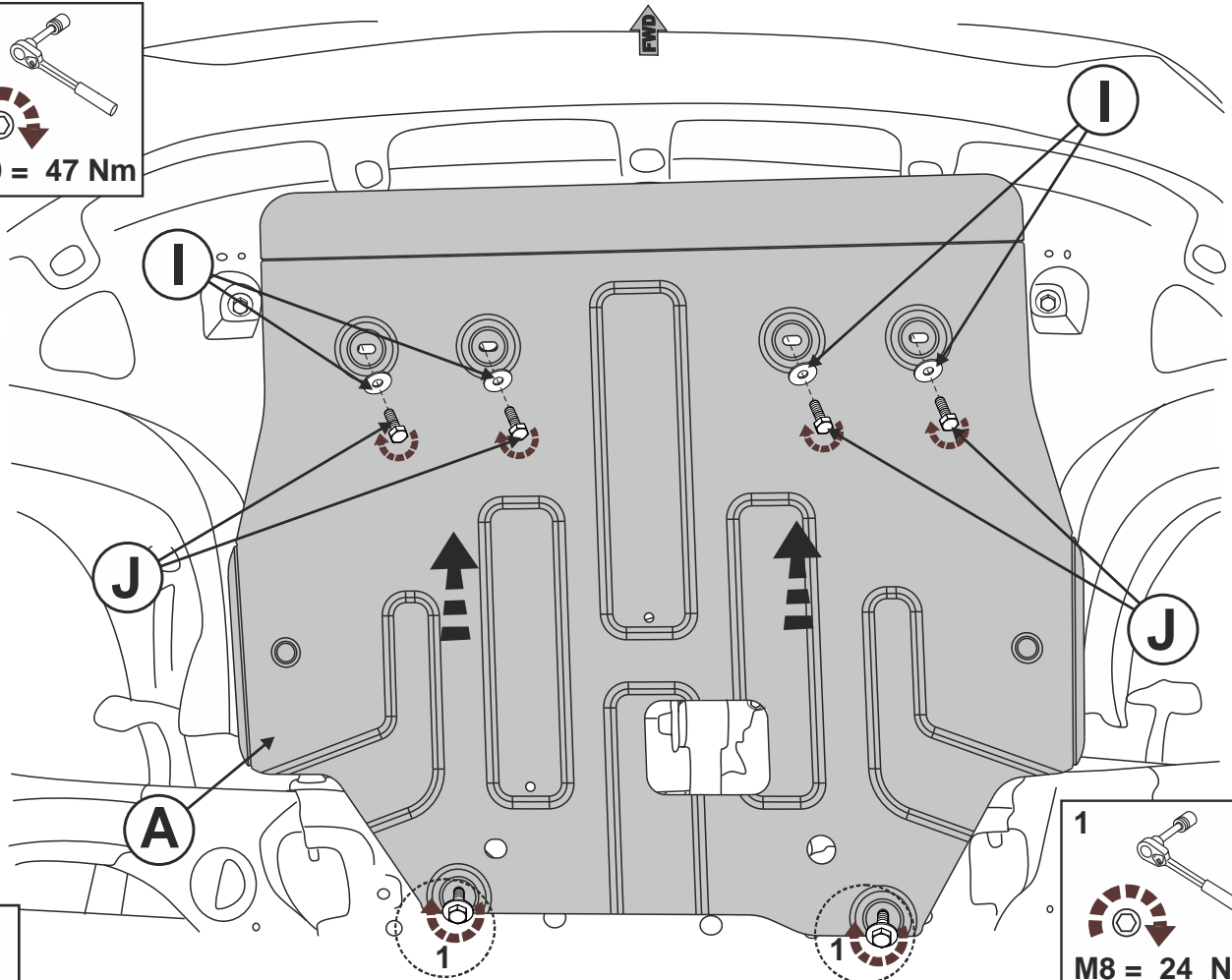
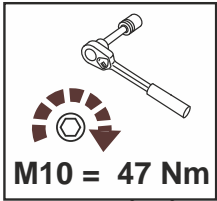
31/03/21

4/7





5



6

