

Installation instructions for PZ4AL-02201-00

Under Run Protective Shield Engine Bay and Transmission Case

TOYOTA ALPHARD



Model Year

2011 - 2015

2015 - 2018

2018 -

Vehicle Code

GGH20L-PFTQK

GGH30L-PFTVK
GGH30L-PFTLK

GGH30L-PFZLK
GGH30L-PFZVK

Part Number

PZ4AL-02201-00



Weight

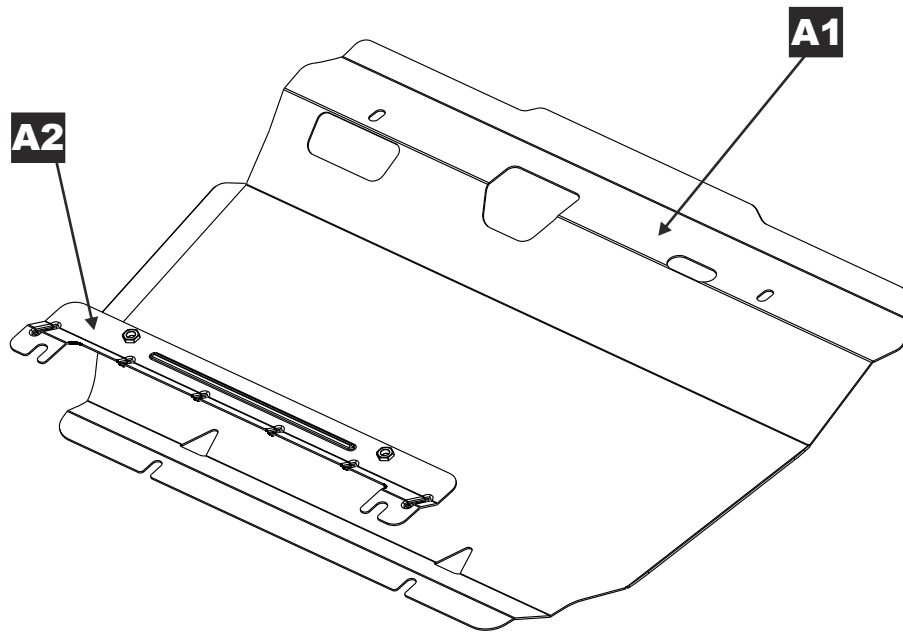
9,35 kg







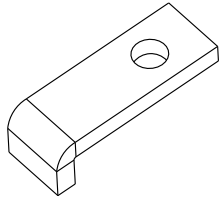
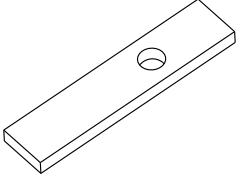
Installation Time

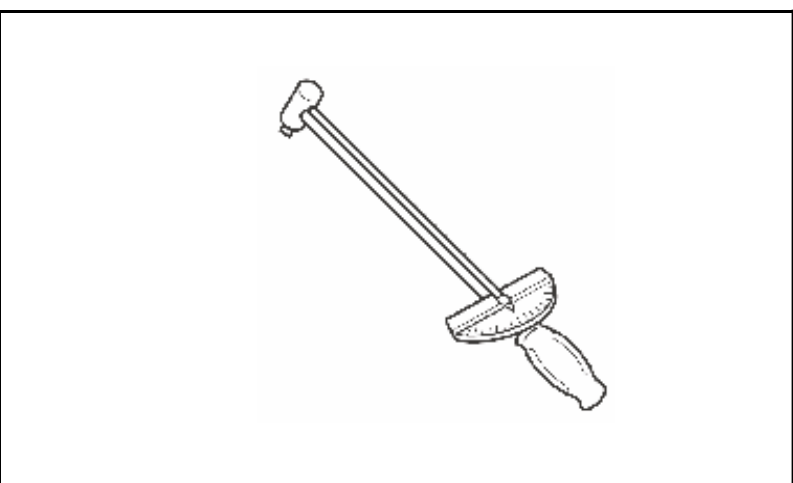
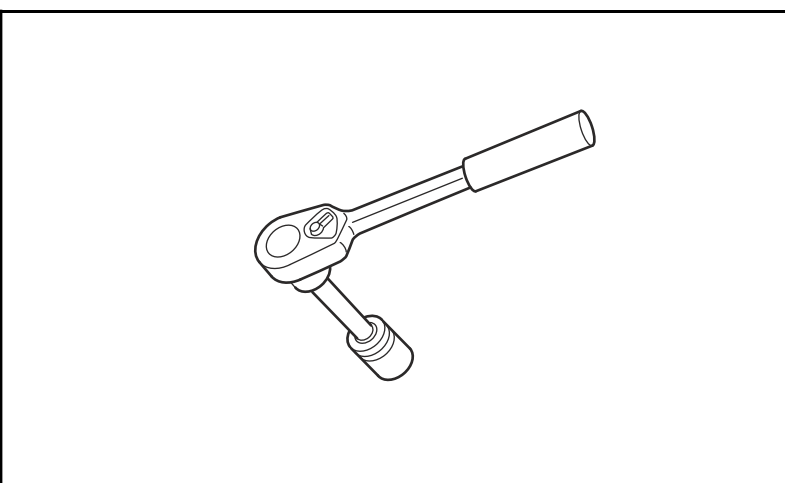
30 min

PZ4AL-02201-00

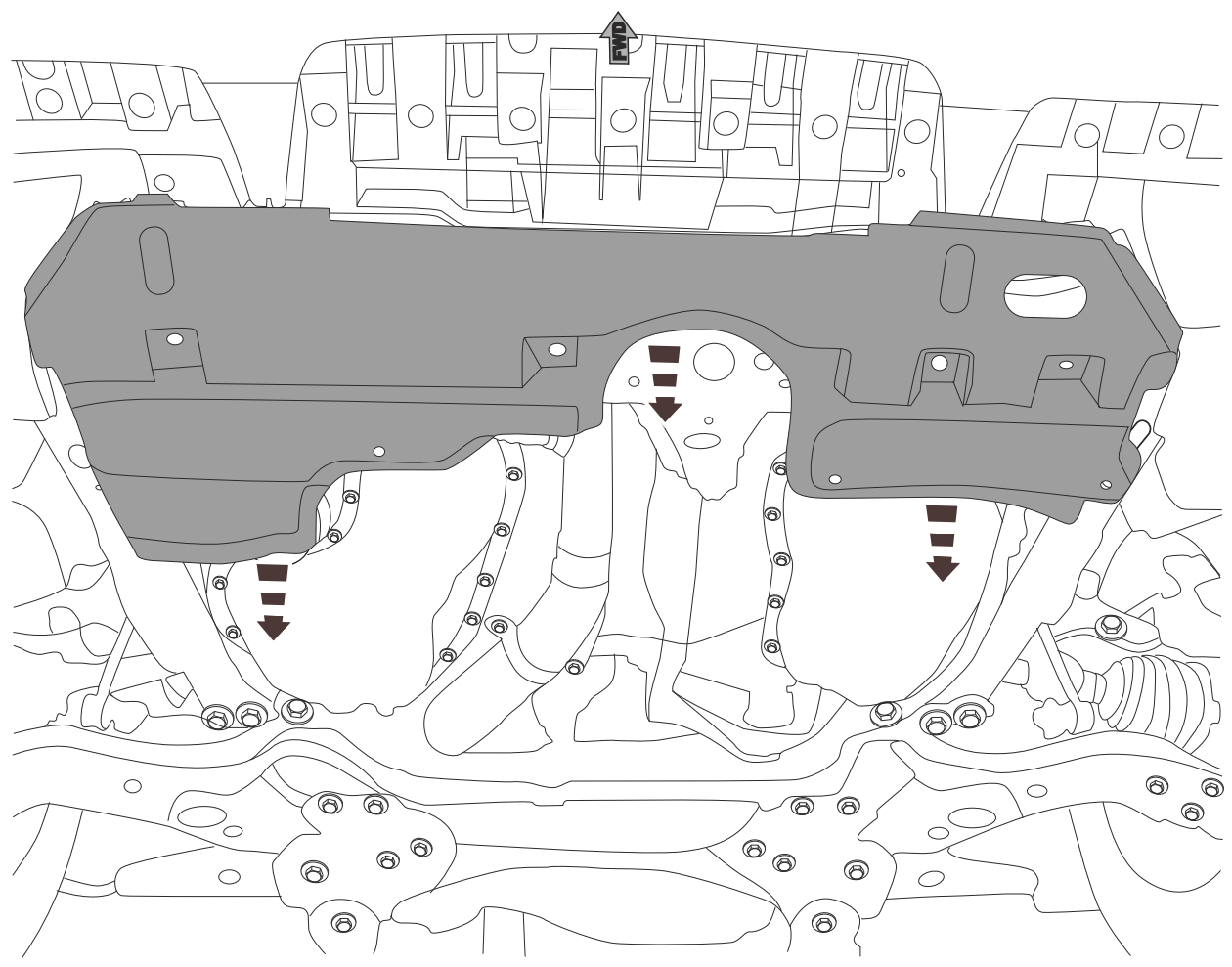


PZ4AL-01093-60

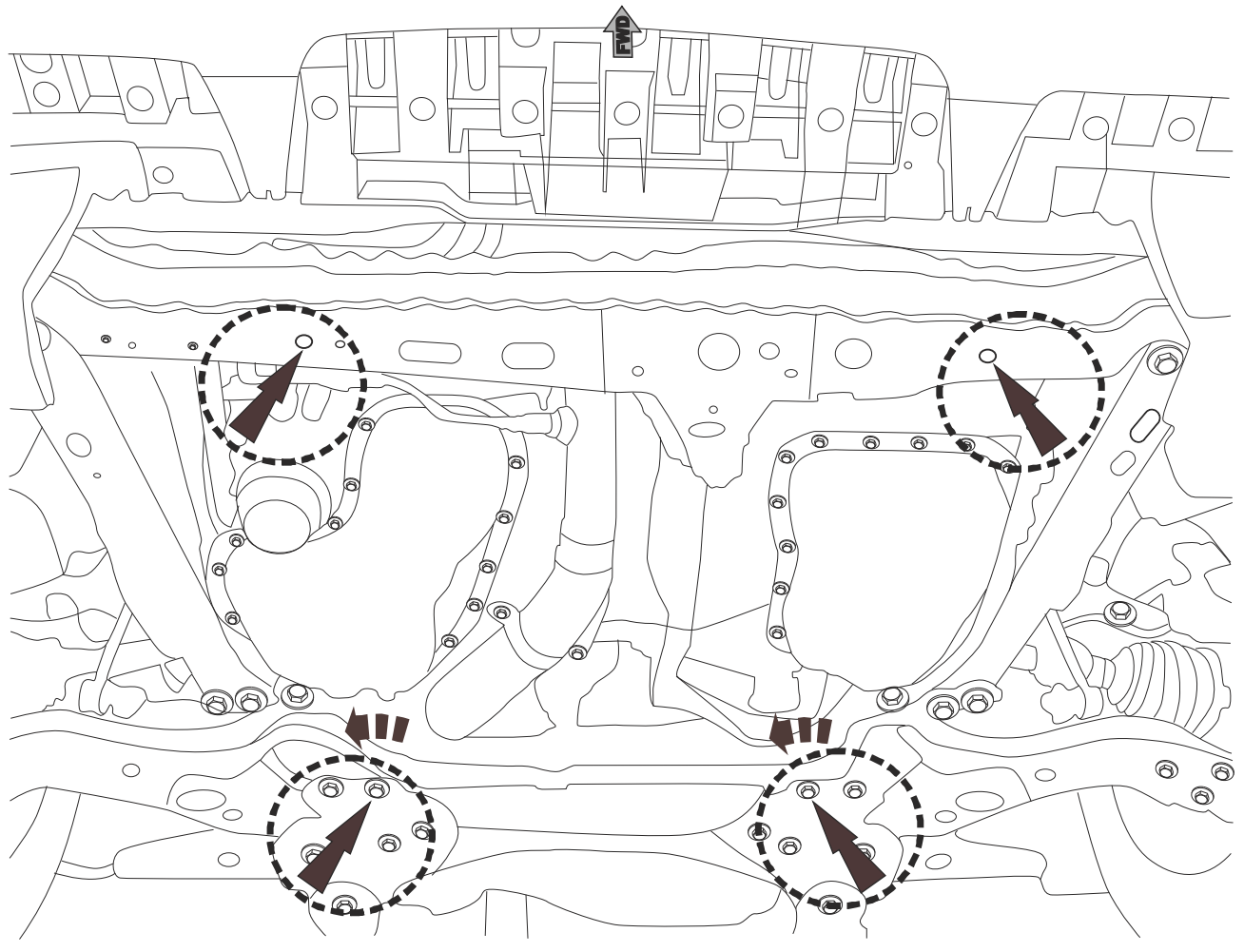
B1  M10x20 2x	B2  M10x30 1x	B3  M10x100 1x	C  Ø10 4x
D  x1	E  x1		



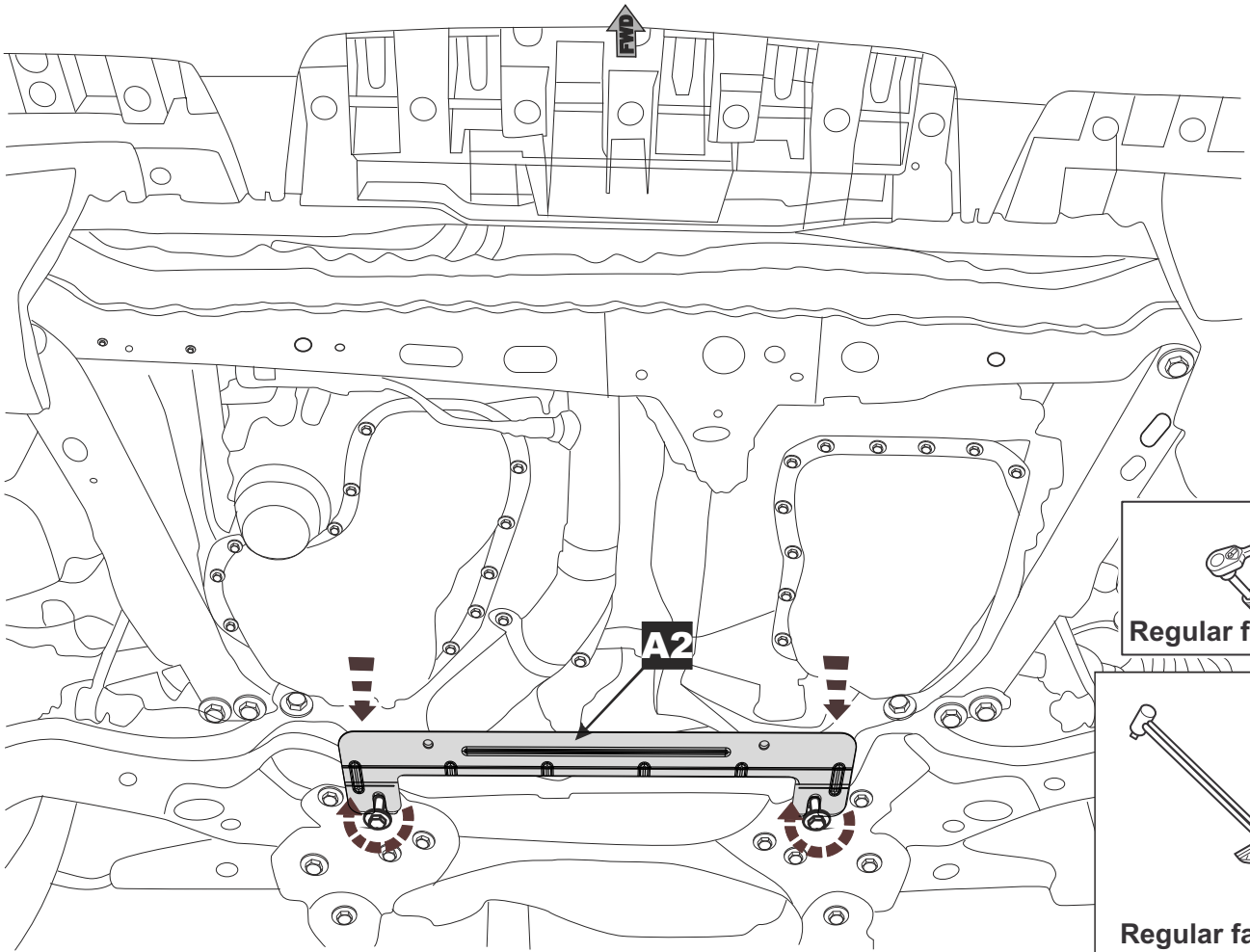
1



2



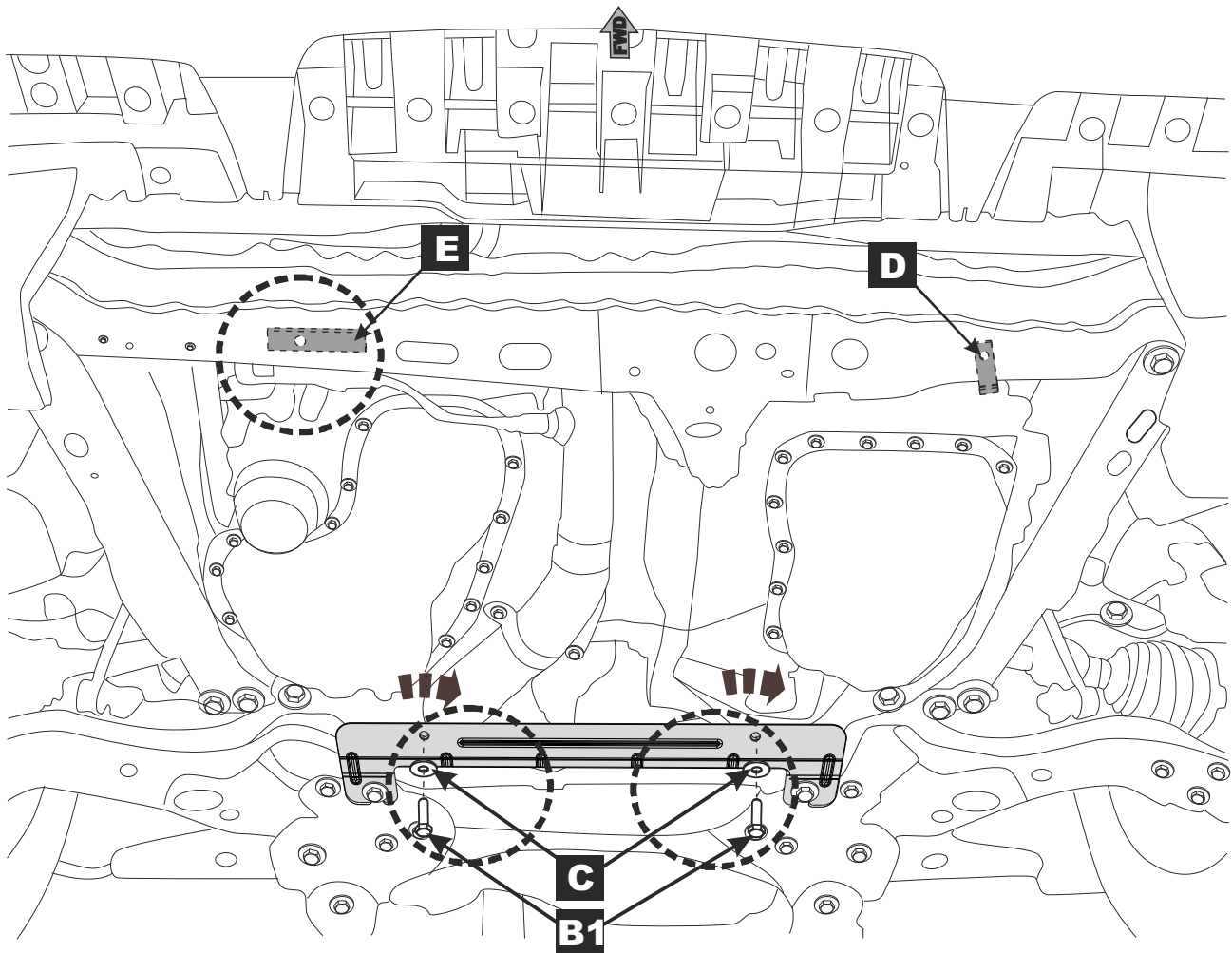
3



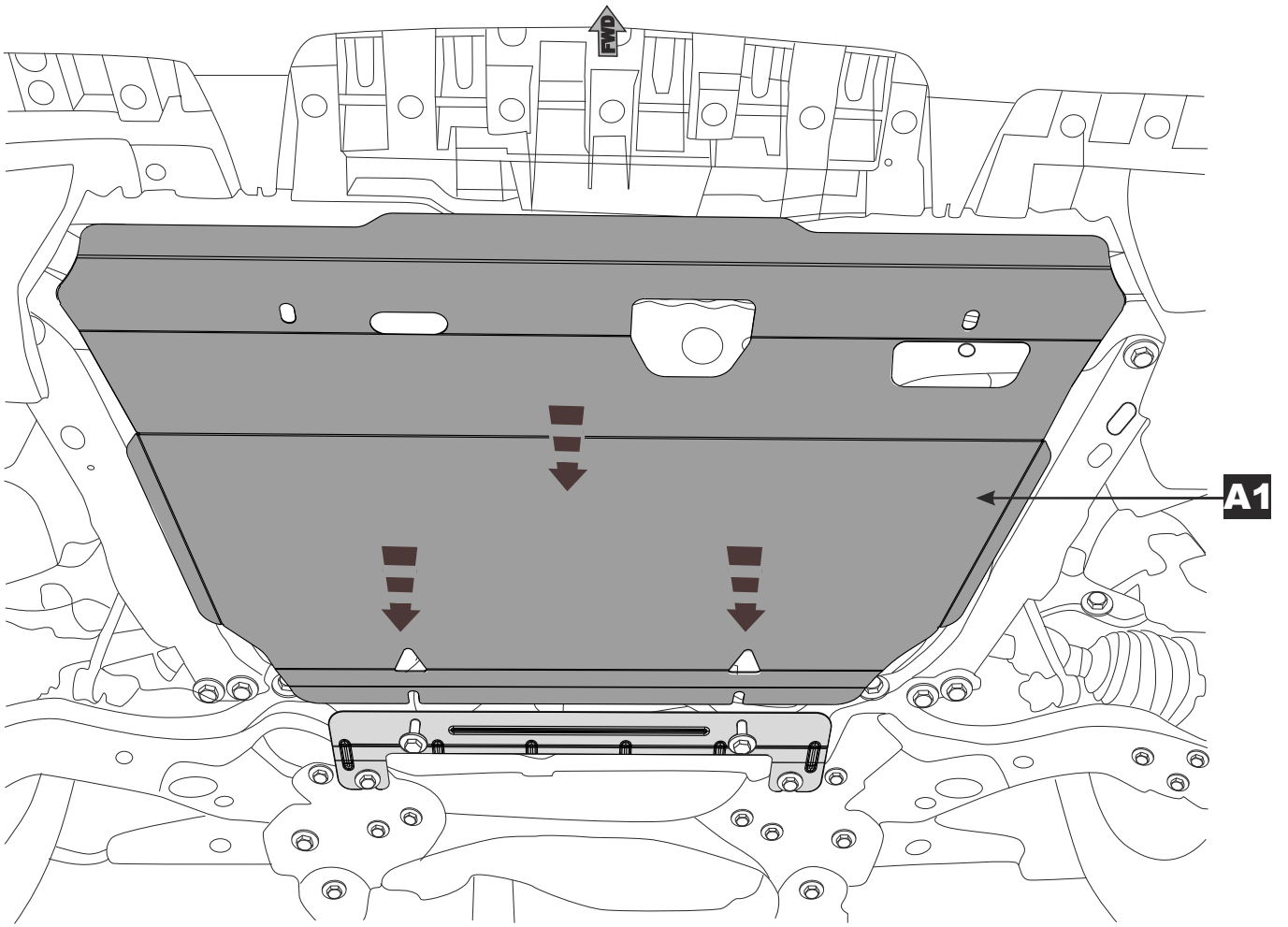
Regular fastener

Regular fastener

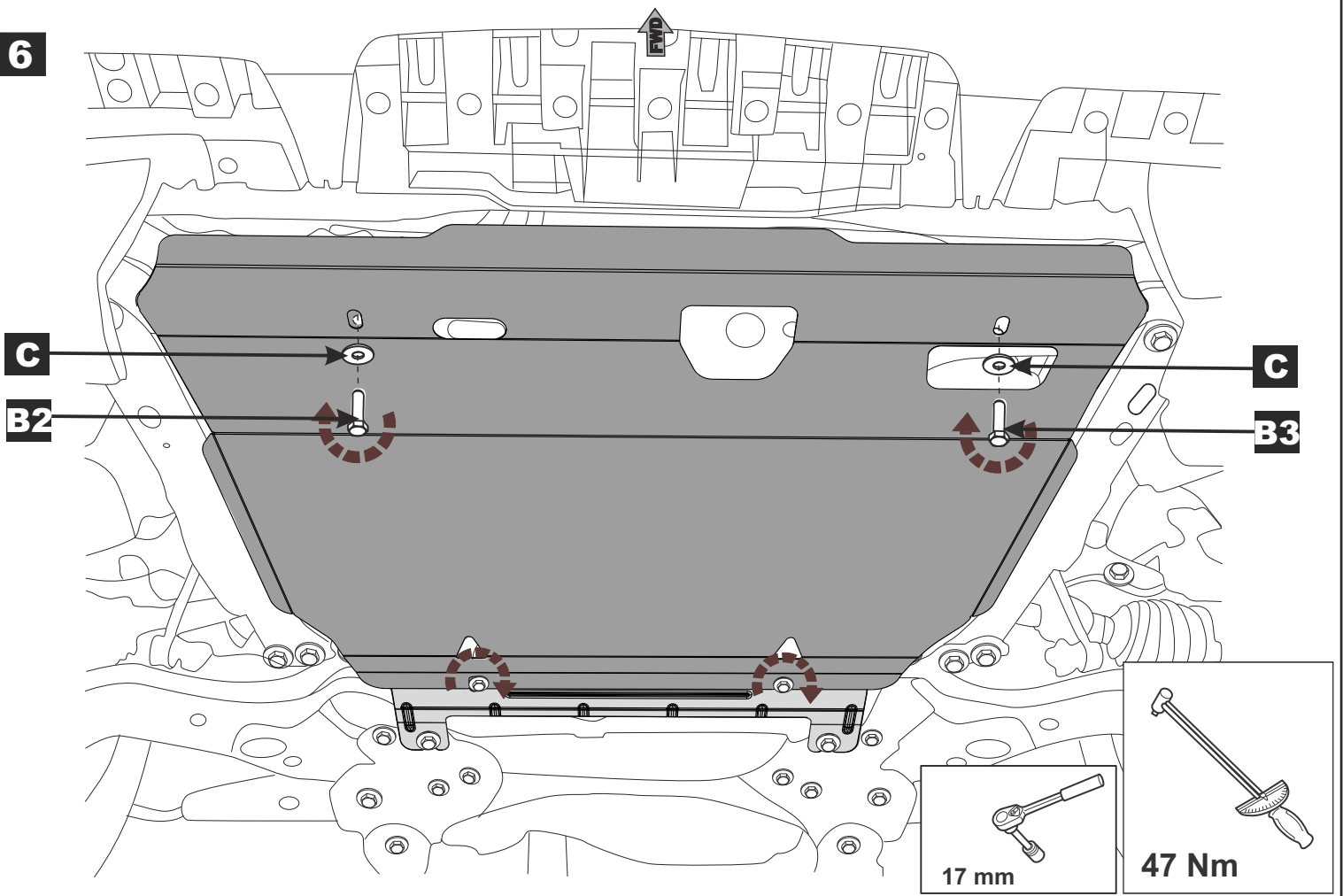
4



5



6



7

