


RU

GB

INSTALLATION MANUAL
SKID PLATE FOR TRANSMISSION CASE AND TRANSFER BOX



TOYOTA 4RUNNER 4,0 AT 4WD

2013- 

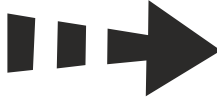
08.4773/08.4774

16/02/21

1/7





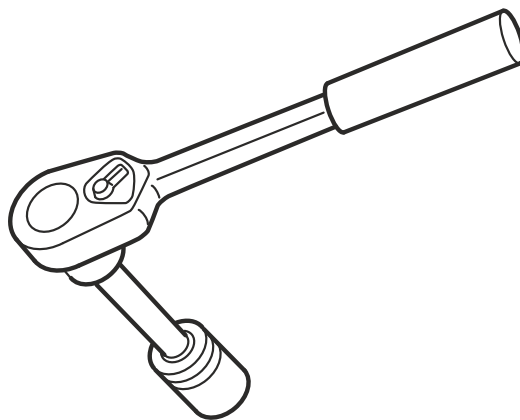
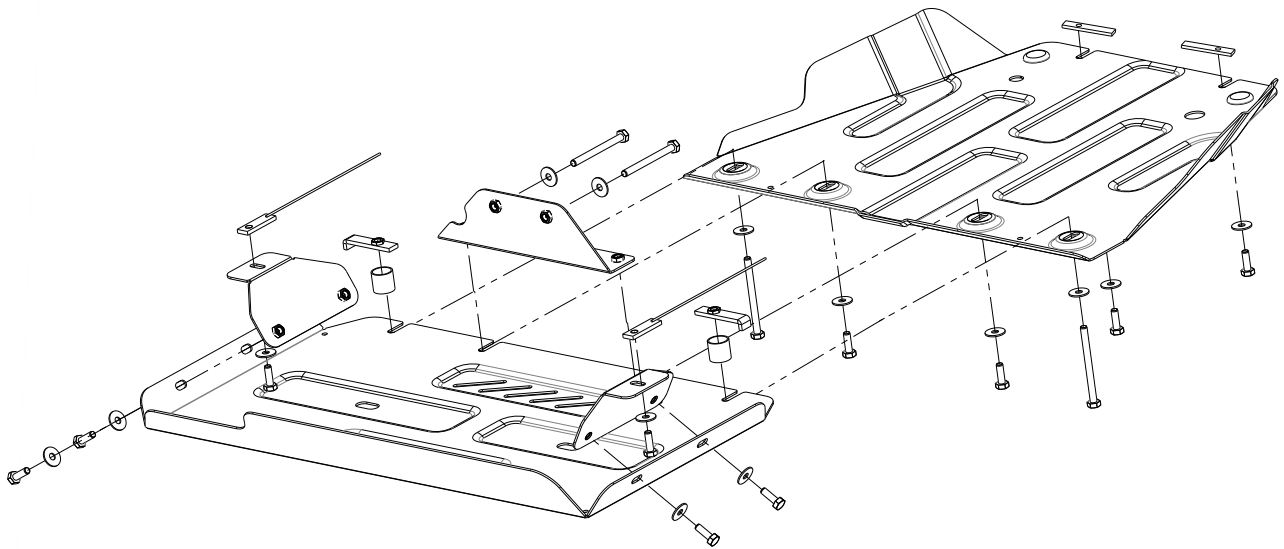
 /
 Location/Position Arrow



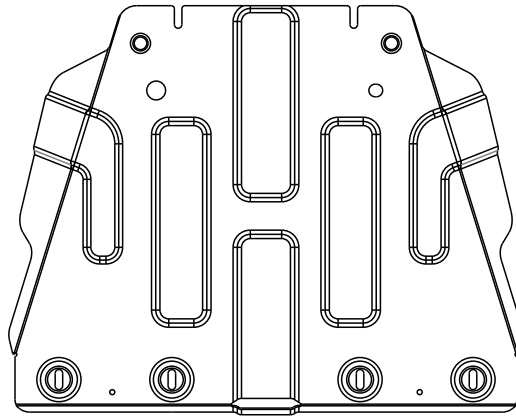
 /
 Movement Arrow



 /
 Screw Arrow

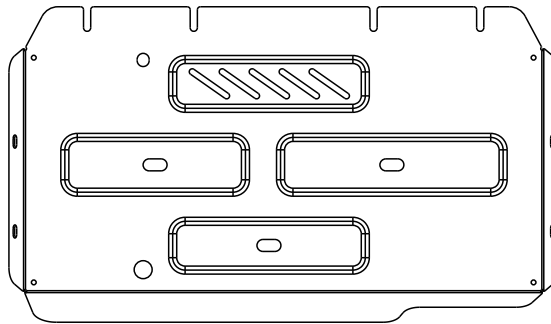


A1



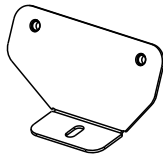
1X

A2

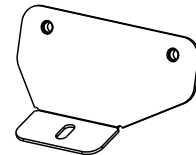


1X

B

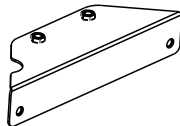


1X



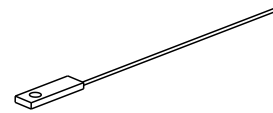
1X

D



1X

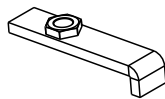
E



3003 L=250

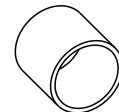
2X

F



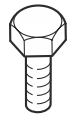
2X

G



2X

H



M10 110

2X

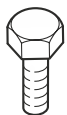
I



M10 30

10X

J



M10 120

2X

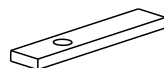
K



Ø10

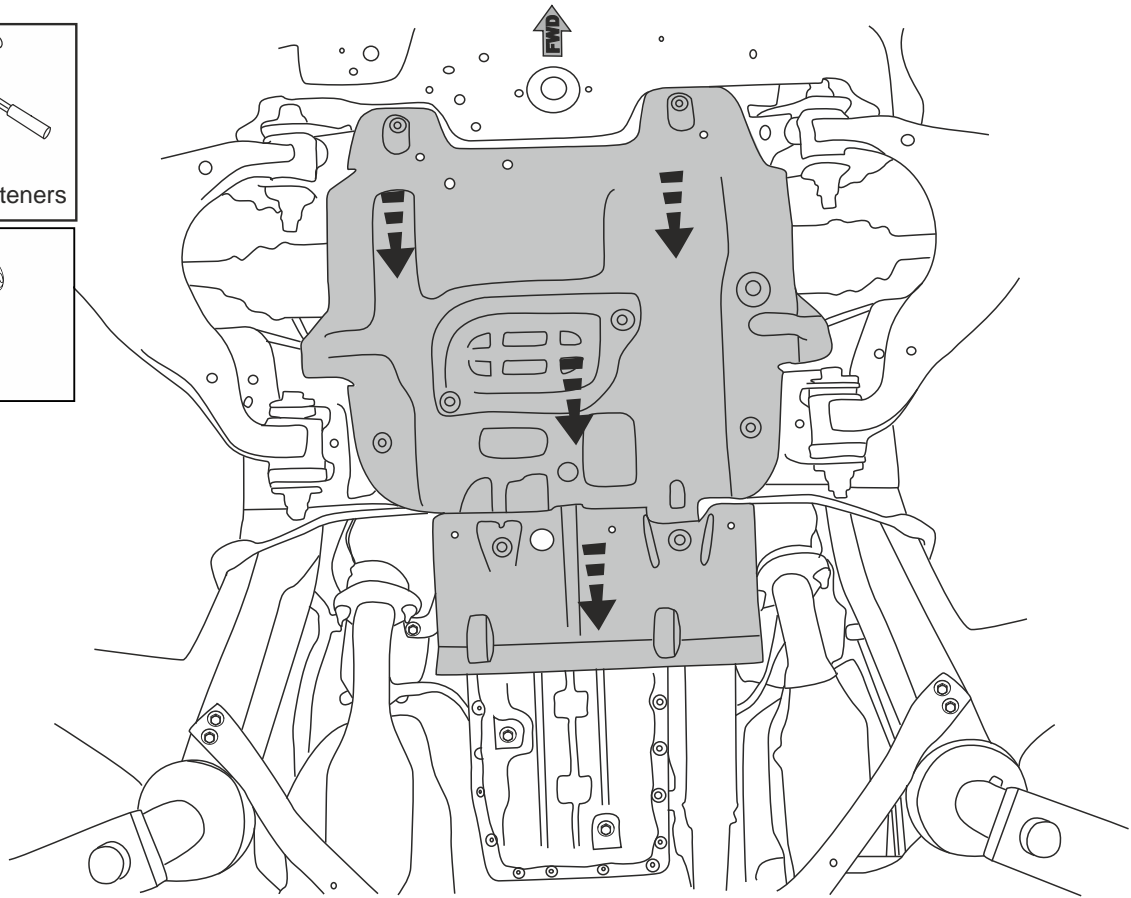
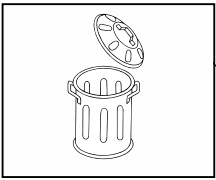
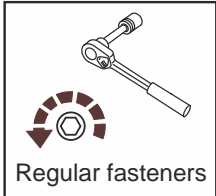
14X

L

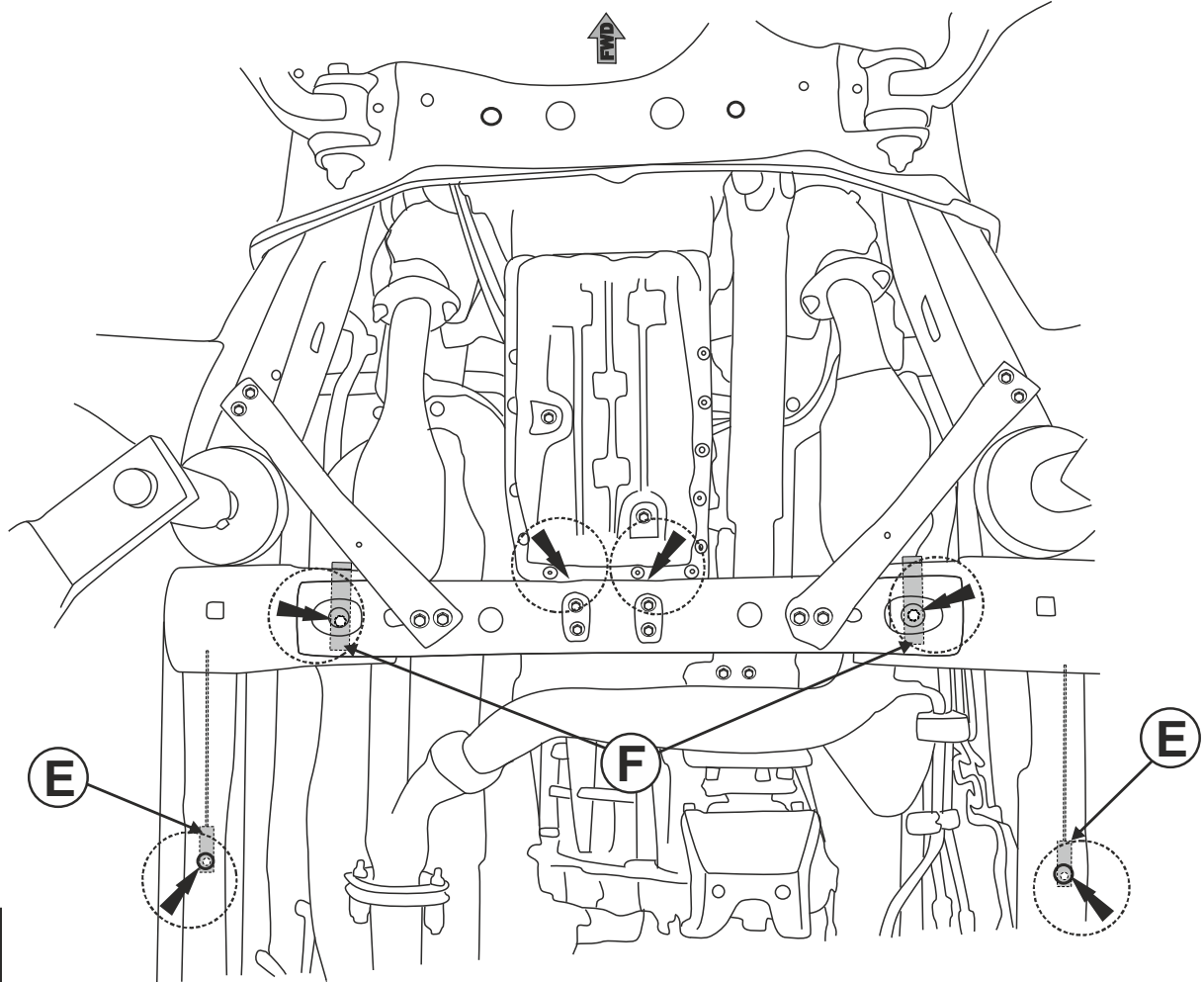


3004

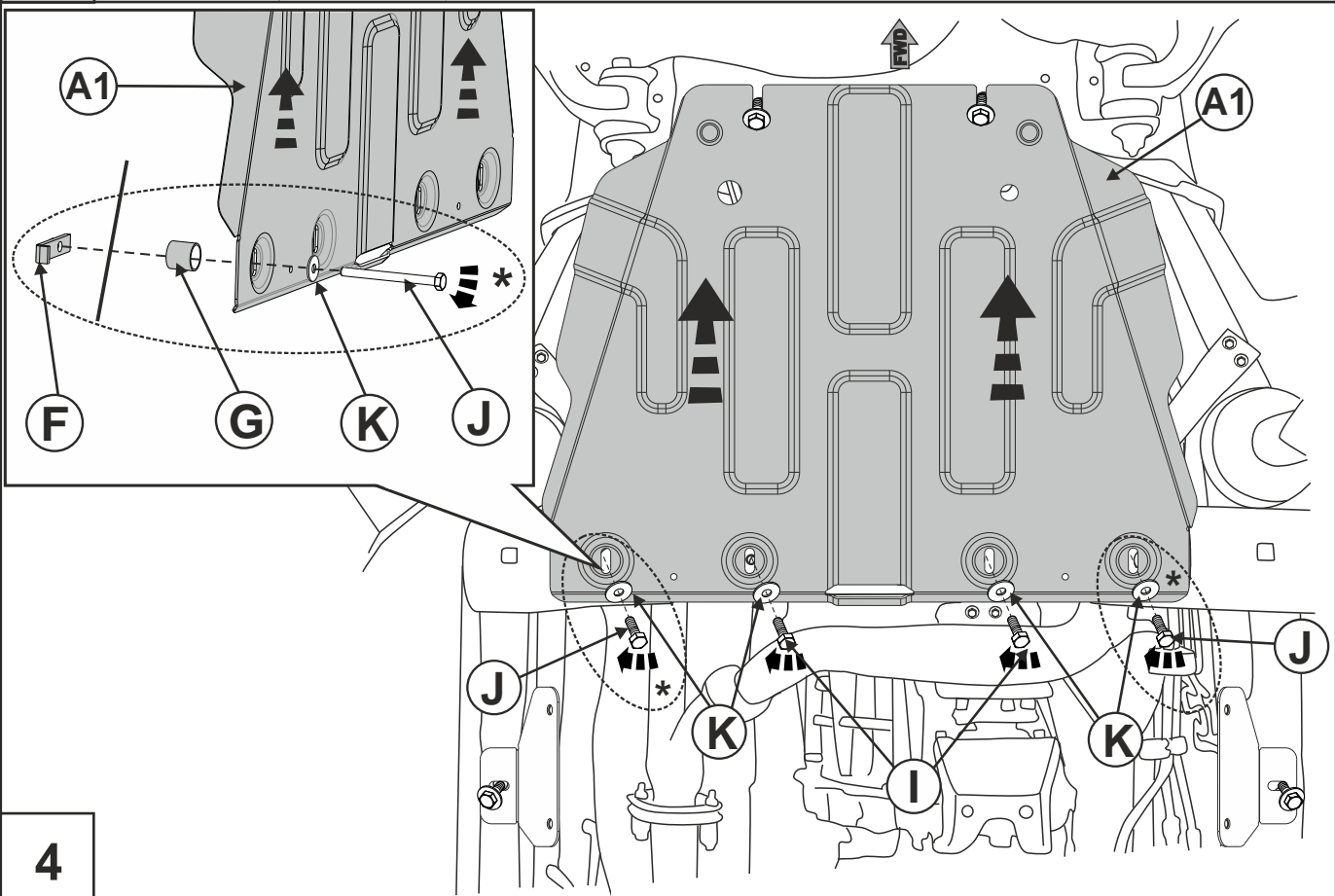
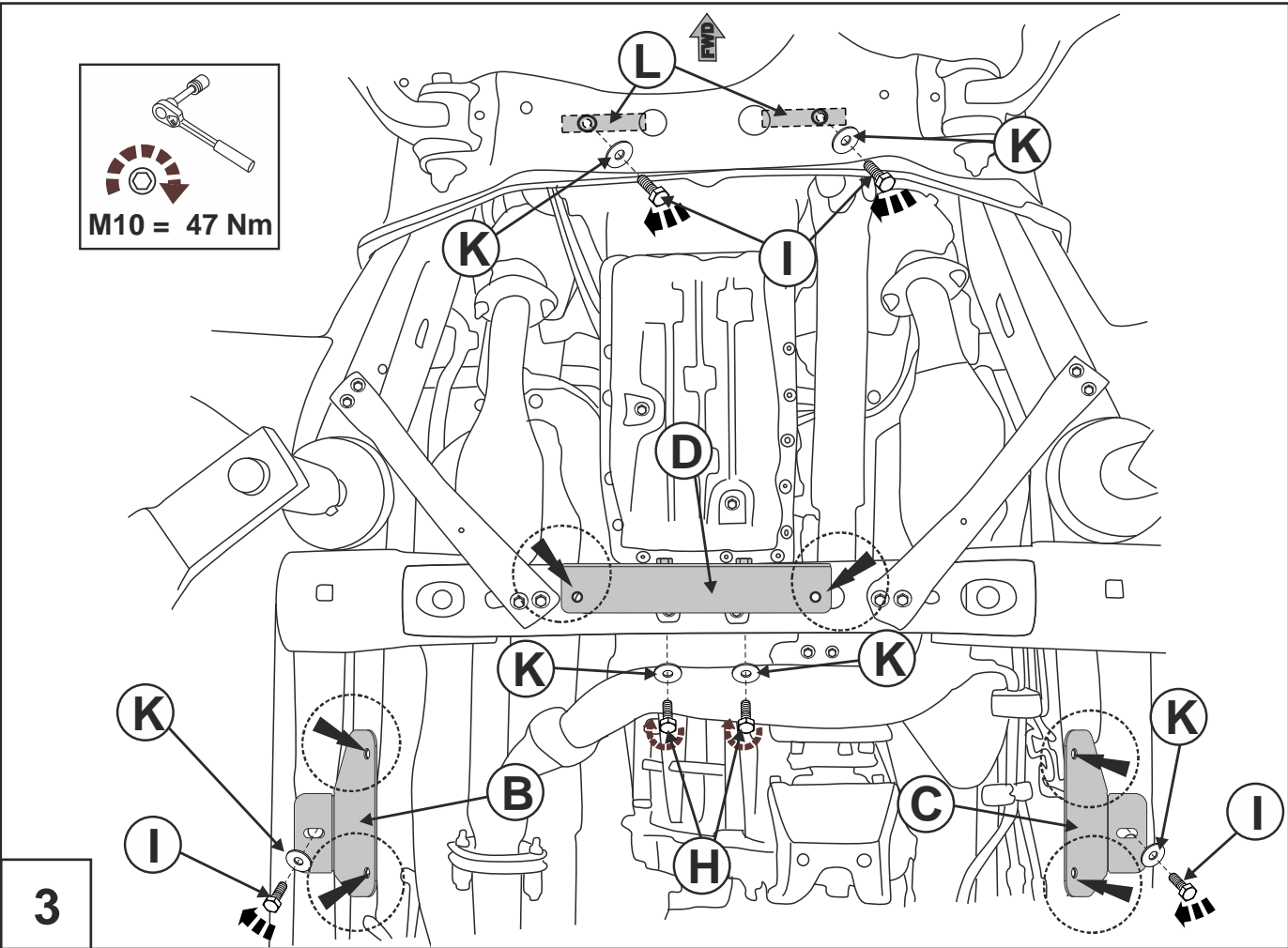
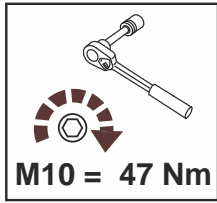
2X

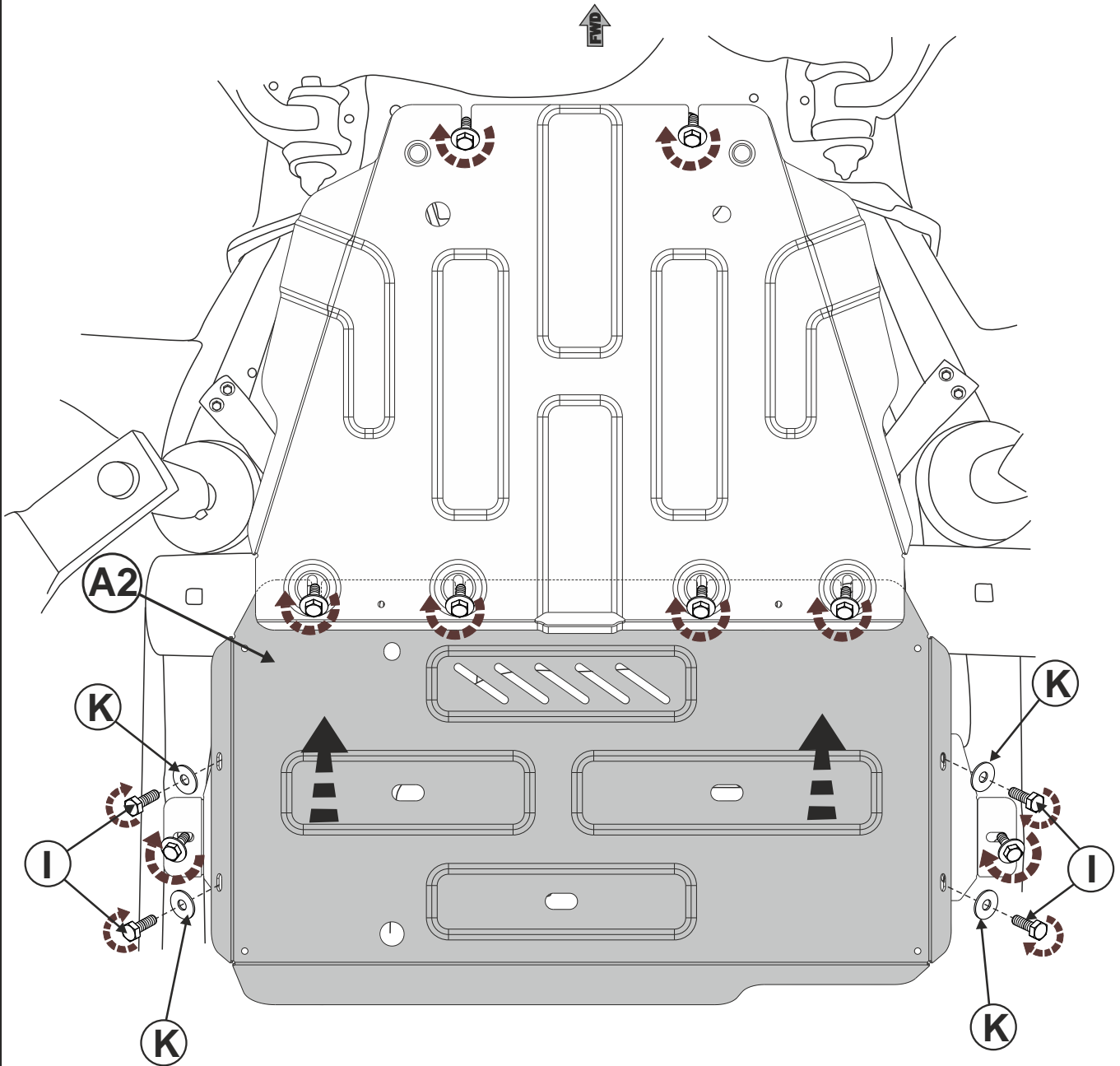
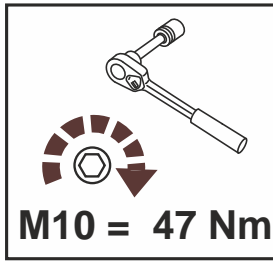


1



2





5

